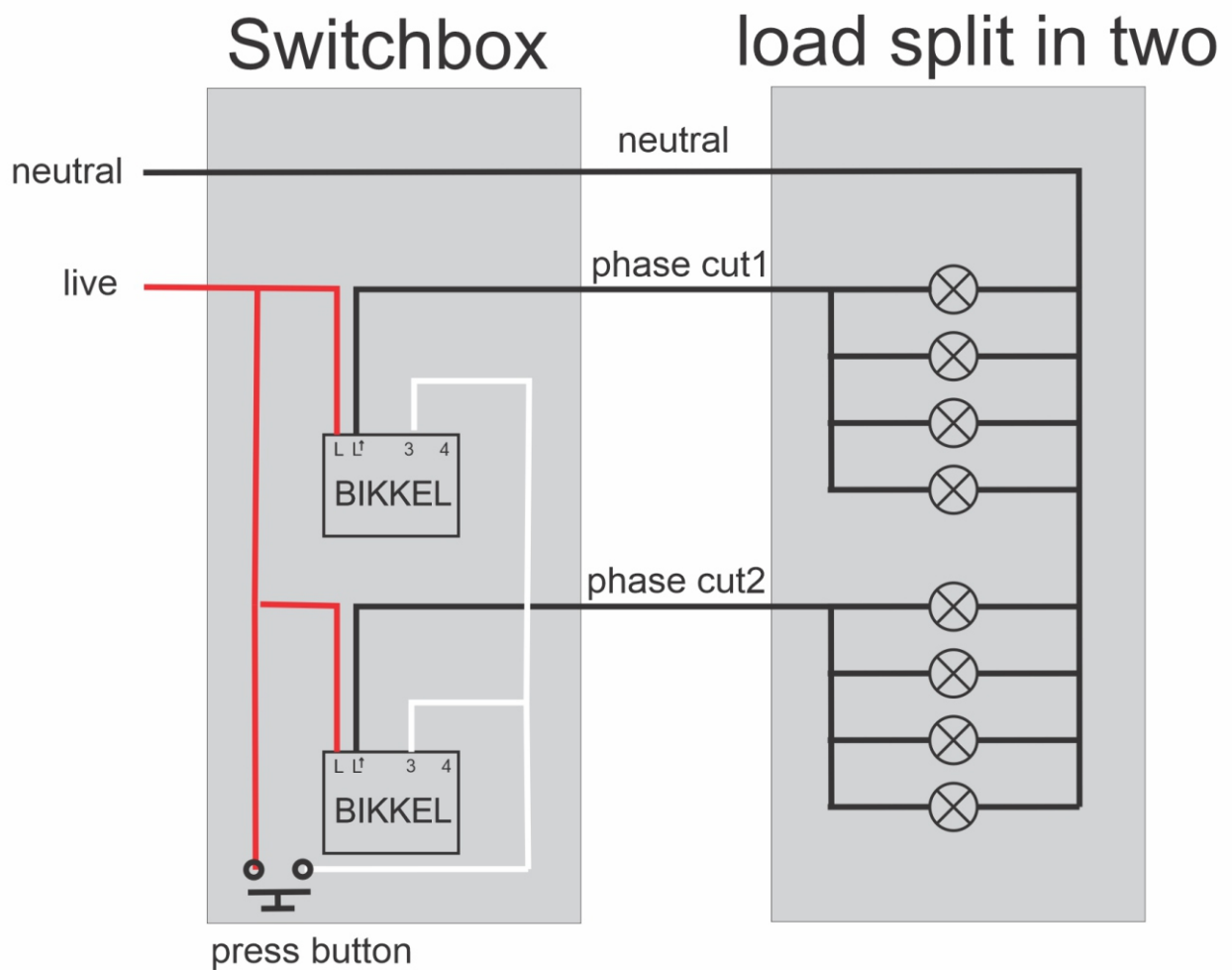


dim 2 rows of lights with 2 Bikkels



Note that the red wires of the push buttons are NOT connected.
With the above way, multiple press buttons can be connected in parallel